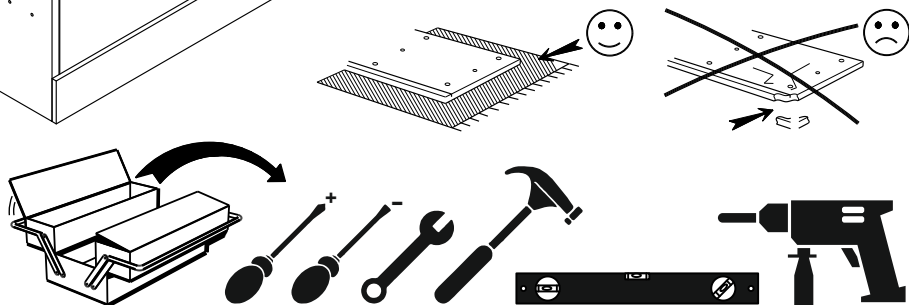
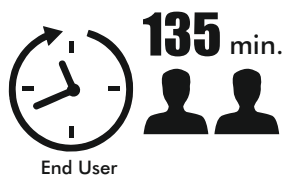
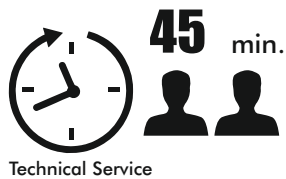
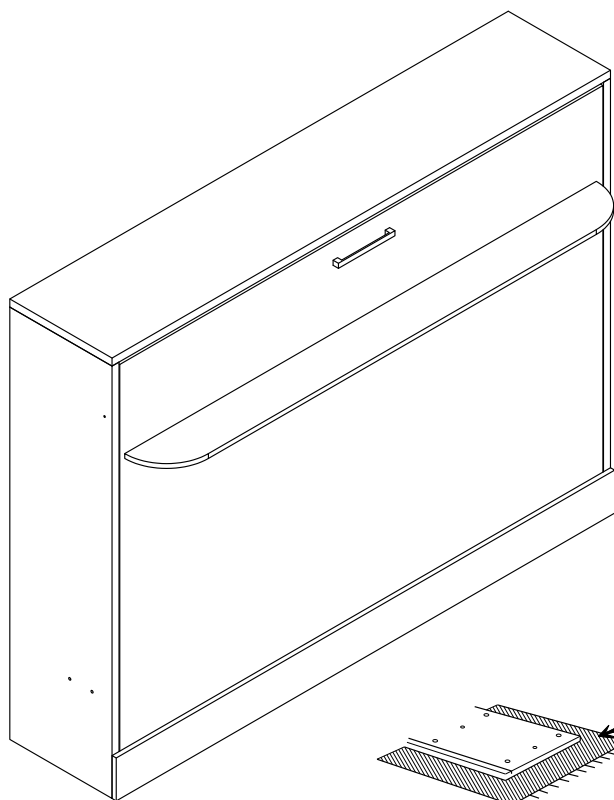




MULTIMO

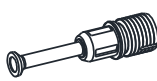

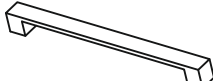

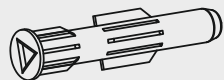

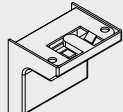
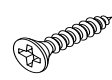
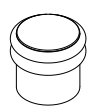
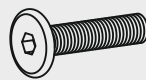
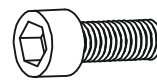
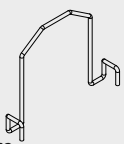
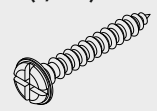
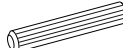
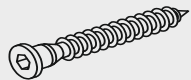

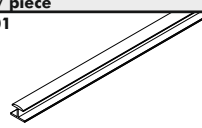


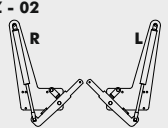
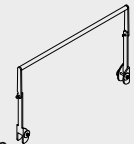
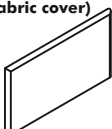

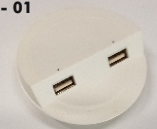
A 211 SPAZIO XL

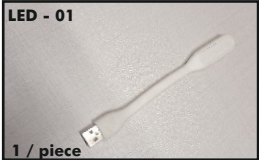
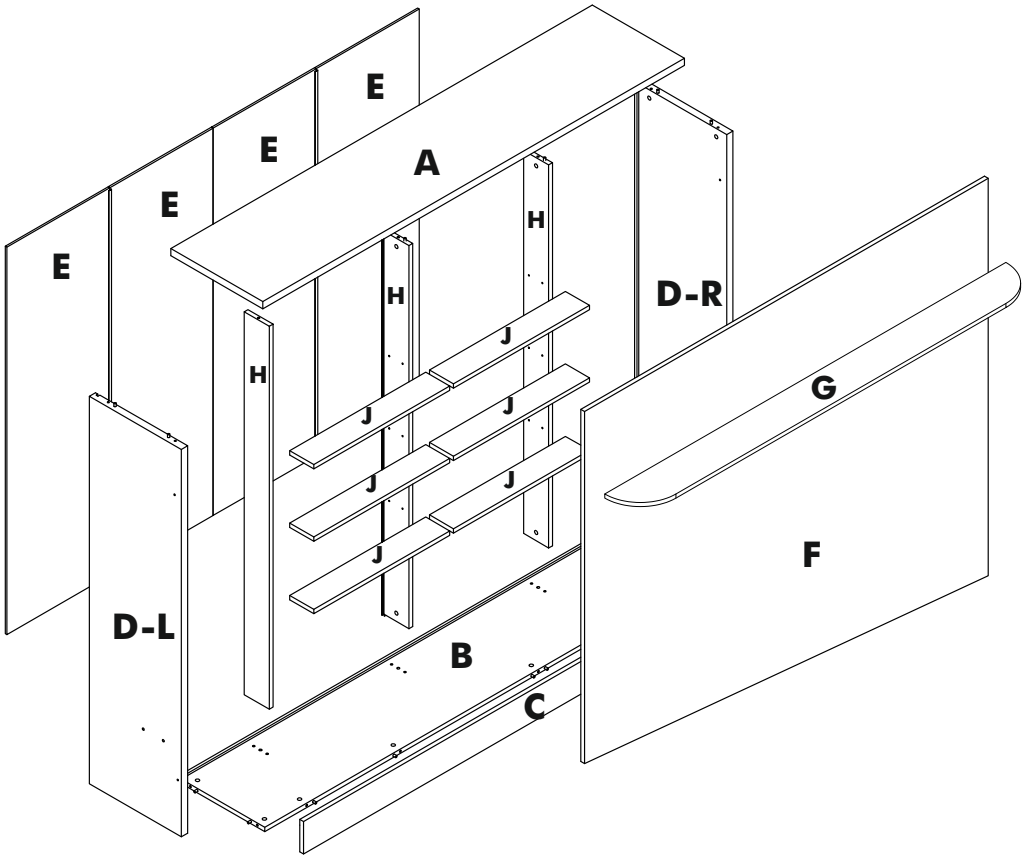


Assembly Instructions

Track Title	Piece	(inch)			(mm)			
		Thickness	Length	Width	Piece	Thick	Height	Most
A	1	1,18	84,57	17,32	1	30	2148	440
B	1	0,71	82,13	17,32	1	18	2086	440
C	1	0,71	84,49	6,69	1	18	2146	170
D	2	1,18	63,46	17,32	2	30	1612	440
E	4	0,31	63,35	20,63	4	8	1609	524
F	1	0,71	81,10	61,42	1	18	2060	1560
G	1	0,71	79,92	6,69	1	18	2030	170
H	3	0,71	62,76	4,72	3	18	1594	120
J	6	0,71	25,59	4,53	6	18	650	115

Accessories List

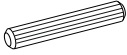
MXN 02  22 / piece	MNG - 01  22 / piece	KP - 01 (224) mm  1 / piece	VKP - 01 (22) mm  2 / piece
DD - 01 (R10)  2 / piece	VD - 01(6X70) mm  2 / piece	DSE - 02  2 / piece	VD - 03 (3,5x18) mm  6 / piece
OT-054  2 / piece	CT - 01 (6x40) mm  2 / piece	IM - 01 (6x30) mm  4 / piece	TTC 01  4 / piece
VD - 02 (3,5x25) mm  16 / piece	KVL 01  30 / piece	VDA - 01 (6,5x50) mm  6 / piece	TAP - 01  22 / piece
H 01  3 / piece	AL - 01  4	AL - 02  5	MKZ - 02  2 / piece 1000N
KOR 01  1 / piece	KLF 01 (fabric cover)  1 / piece	ADP - 01  1 / piece	PORT - 01  1 / piece



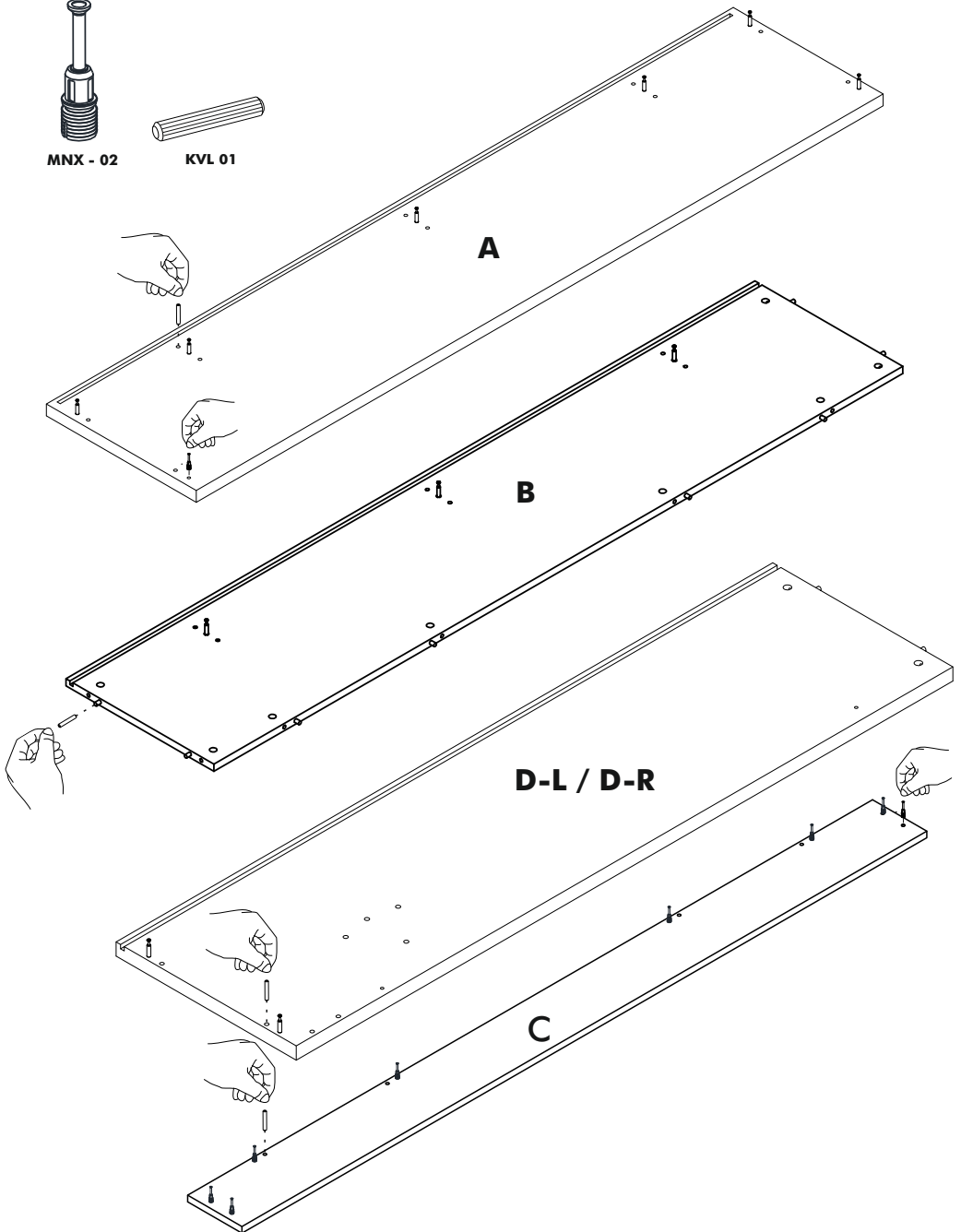
STEP 1



MNX - 02

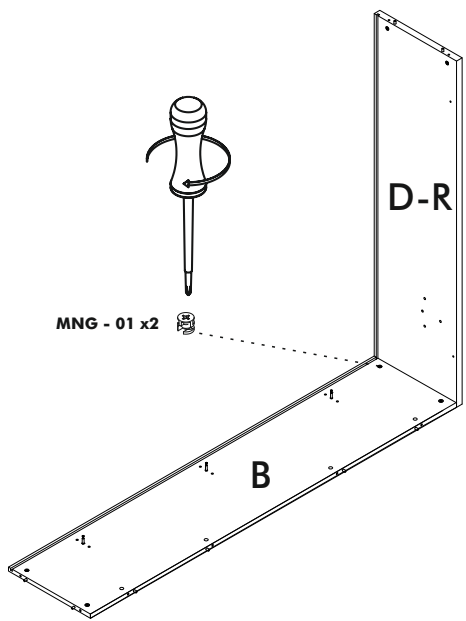


KVL 01



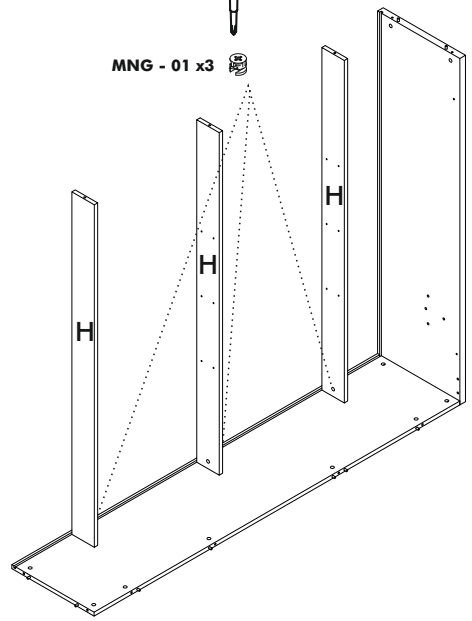
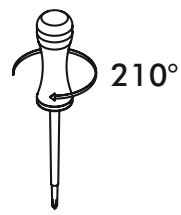
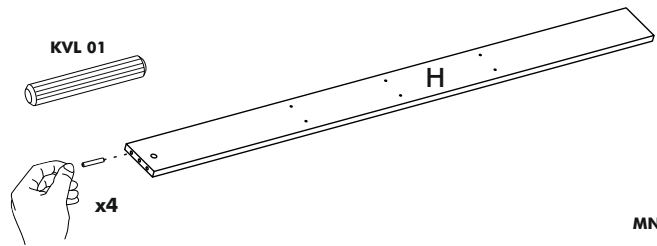
STEP 2

210°

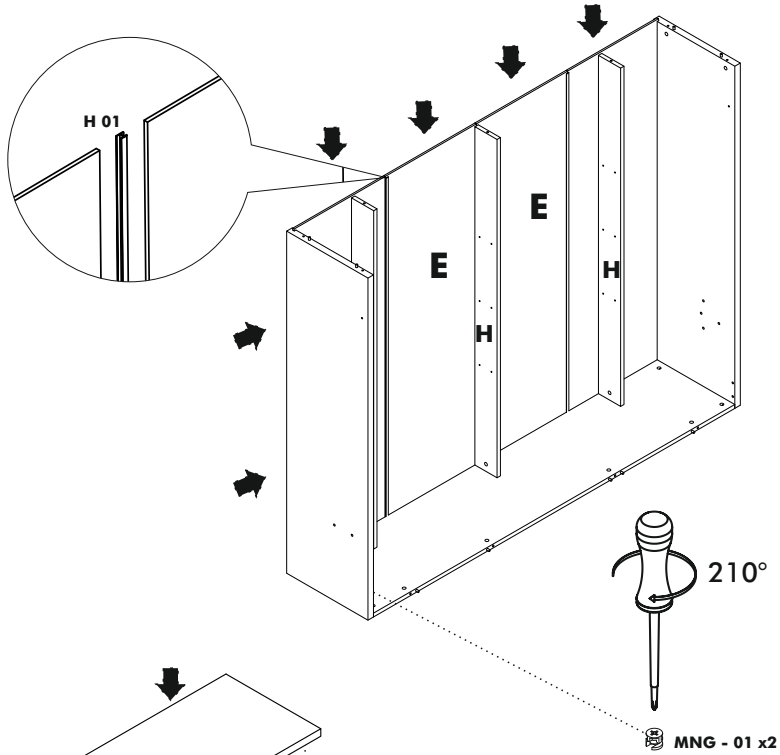


STEP 3

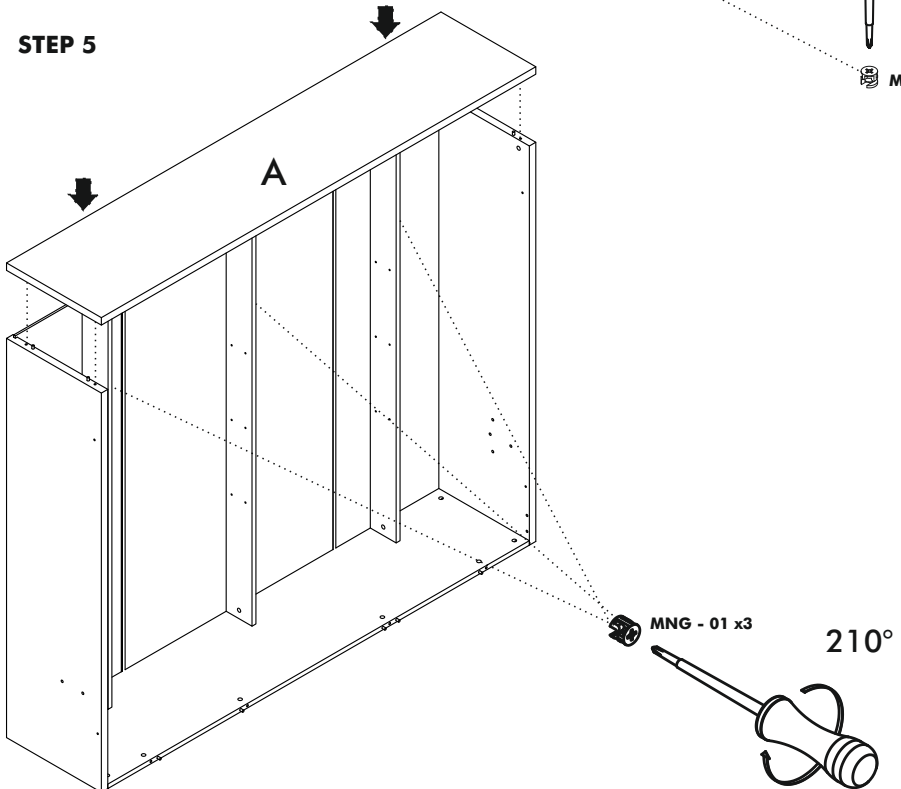
KVL 01



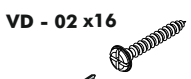
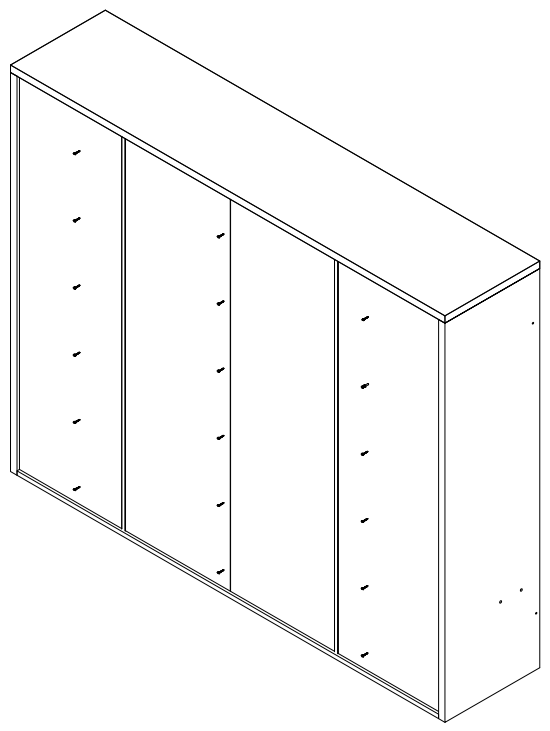
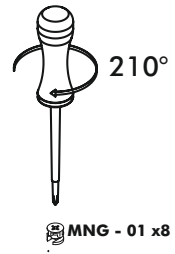
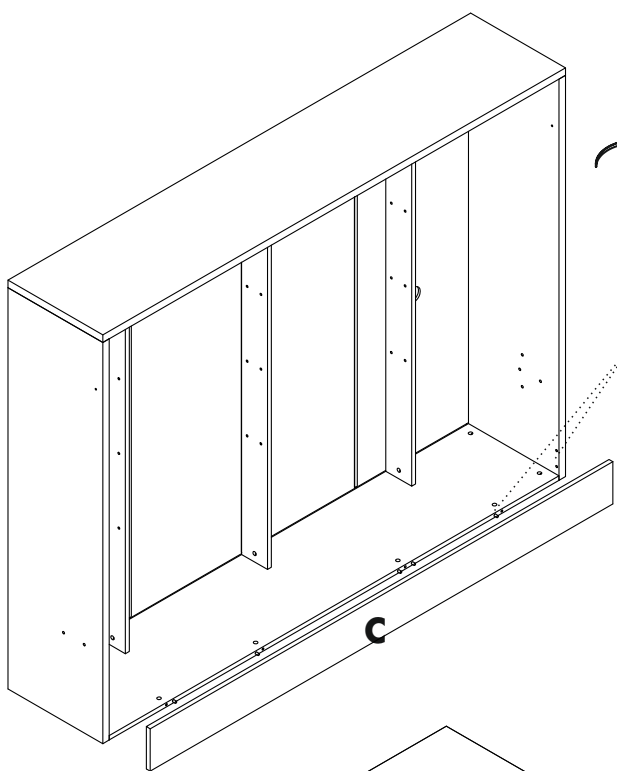
STEP 4



STEP 5

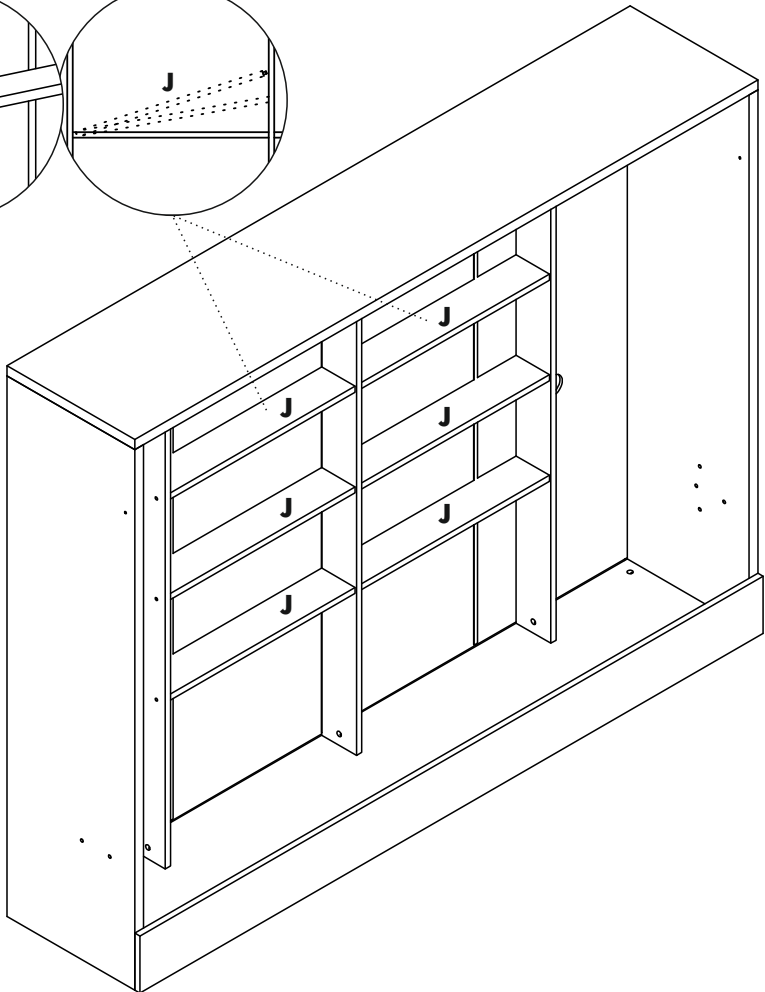
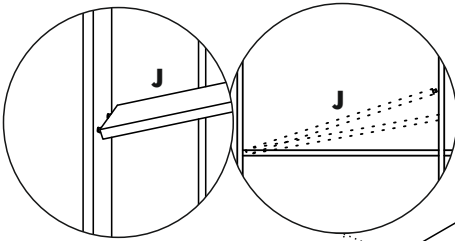
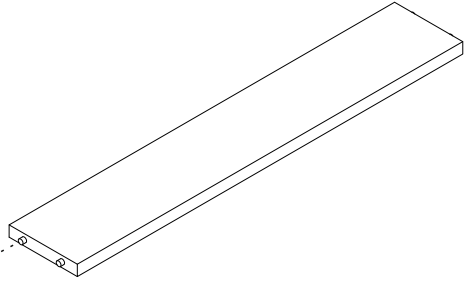
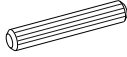


STEP 6

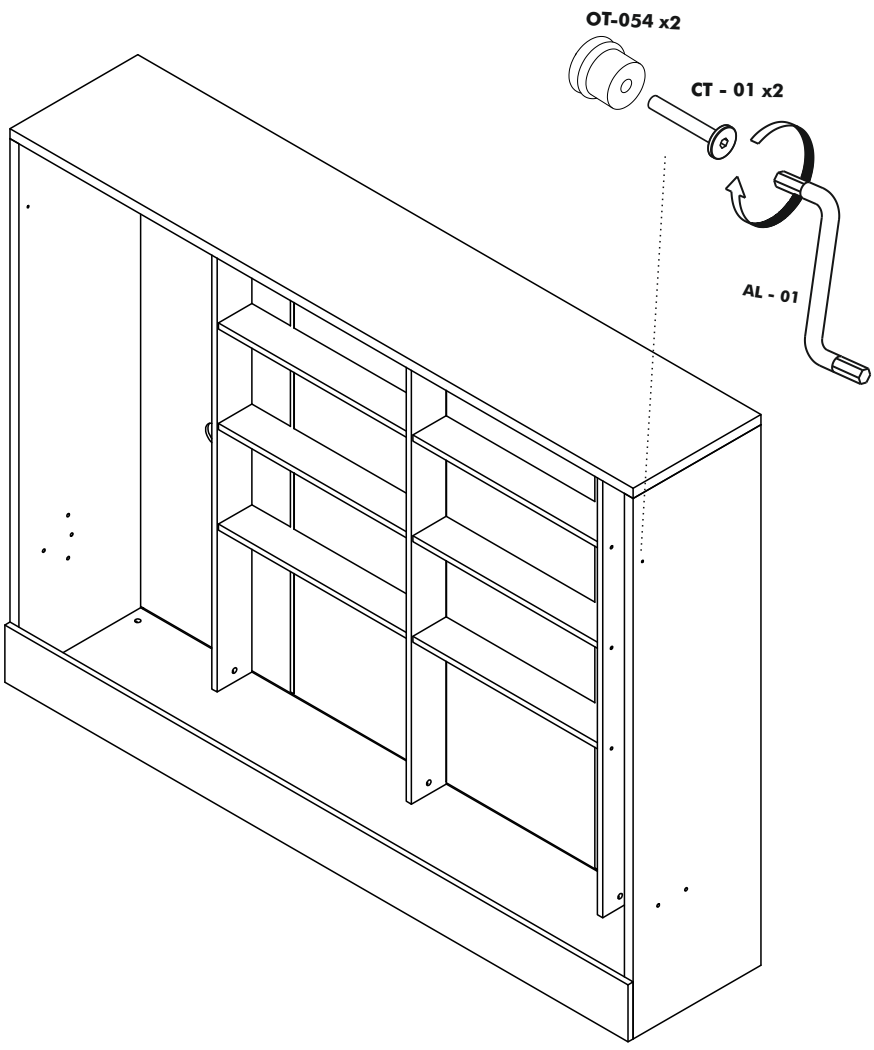


STEP 8

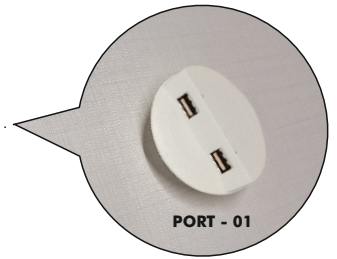
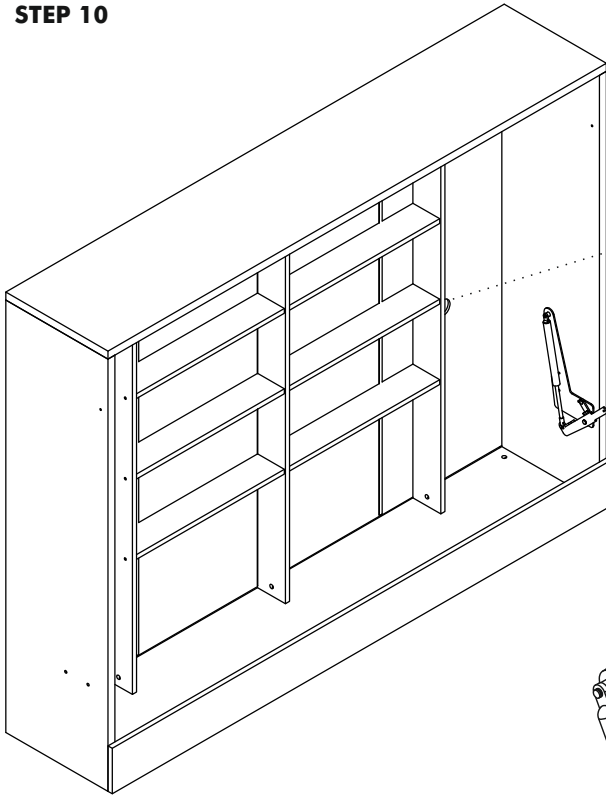
KVL 01



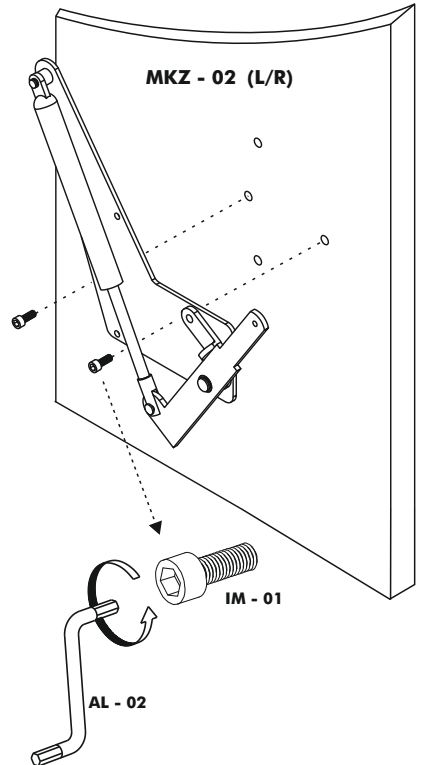
STEP 9



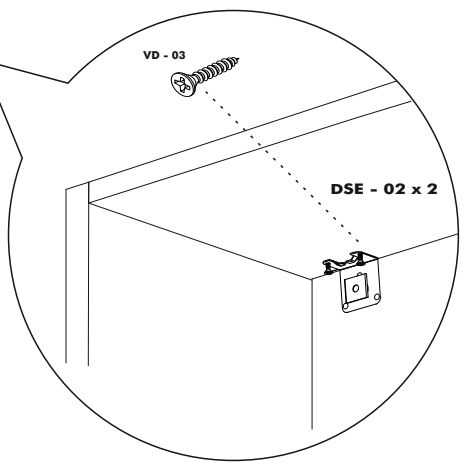
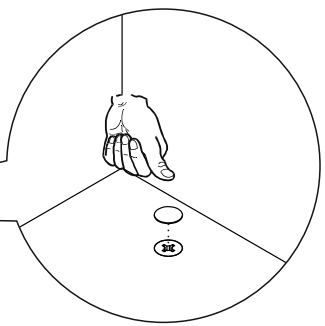
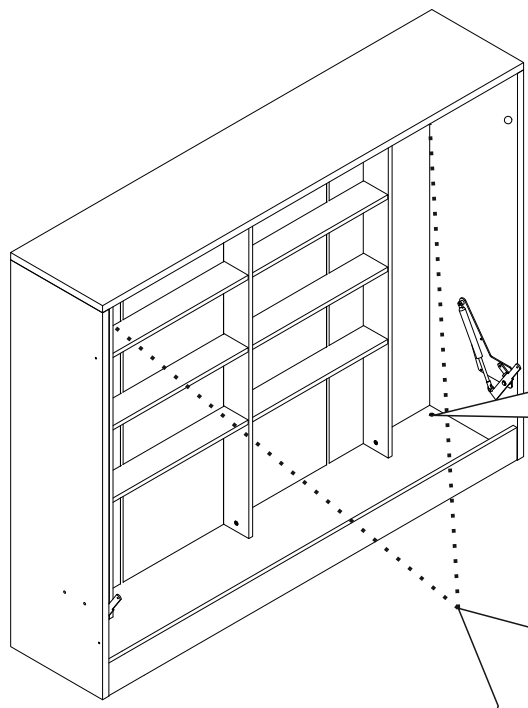
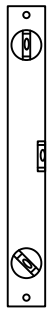
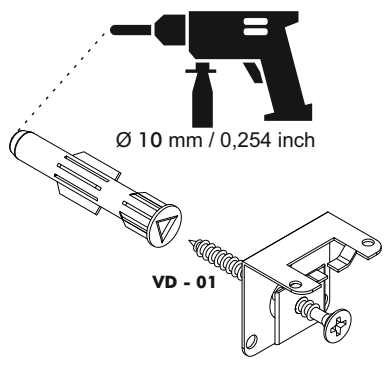
STEP 10



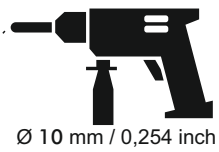
CAUTION
DO NOT UNLOCK
BEFORE INSTALL



STEP 11



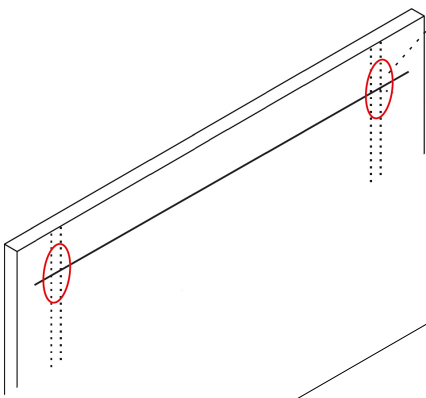
STEP 11



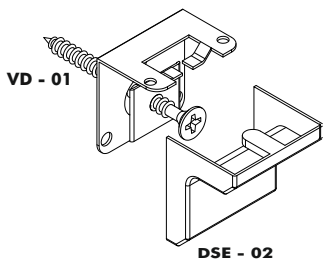
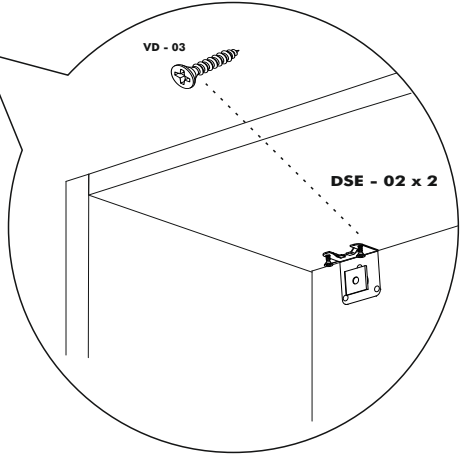
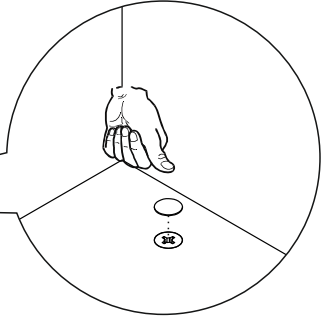
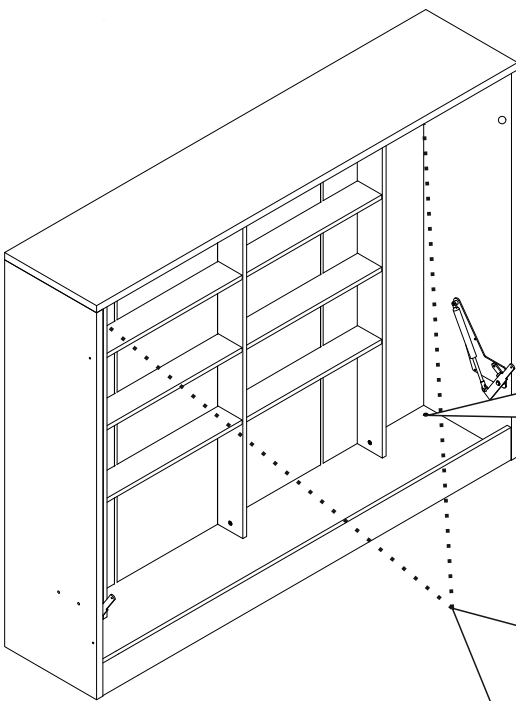
Ø 10 mm / 0,254 inch

FIRST LOCATE THE STUDS BY USING "STUD FINDER" IN THE WALL AND DRILL IT ACCORDING TO THE HEIGHT MEASUREMENTS GIVEN ON THE SIDE.

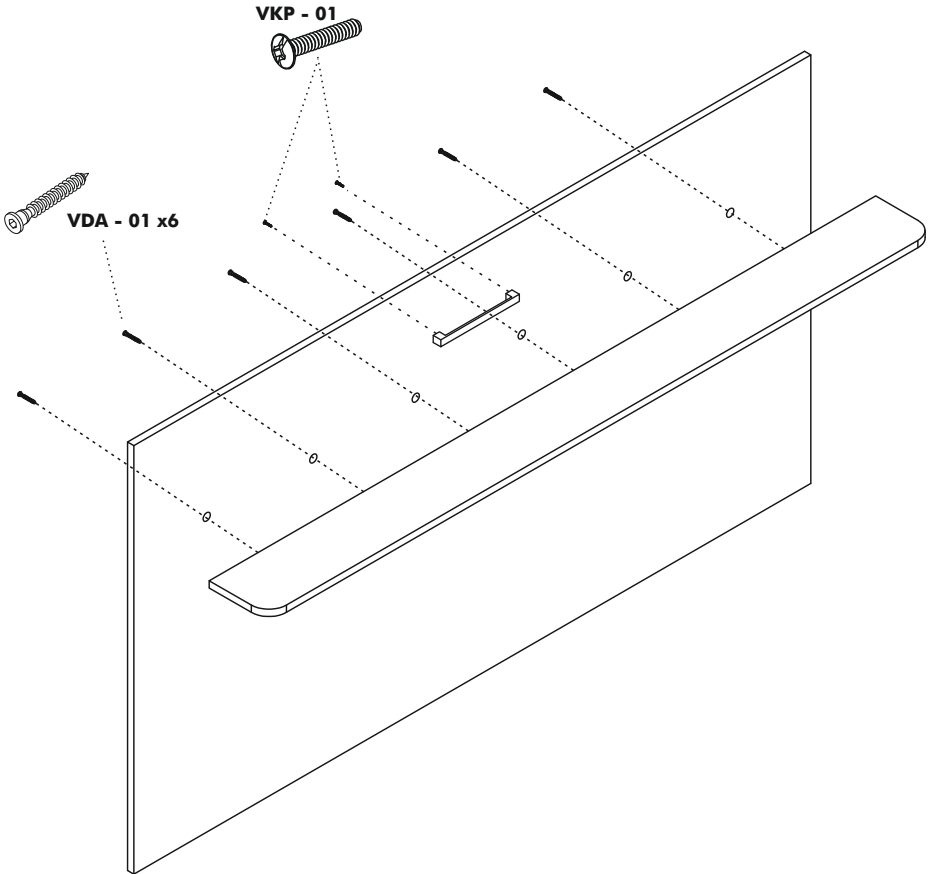
UPPER HOLES SHOULD BE DRILLED FOR ATTACHING BED AT NEXT STEP.



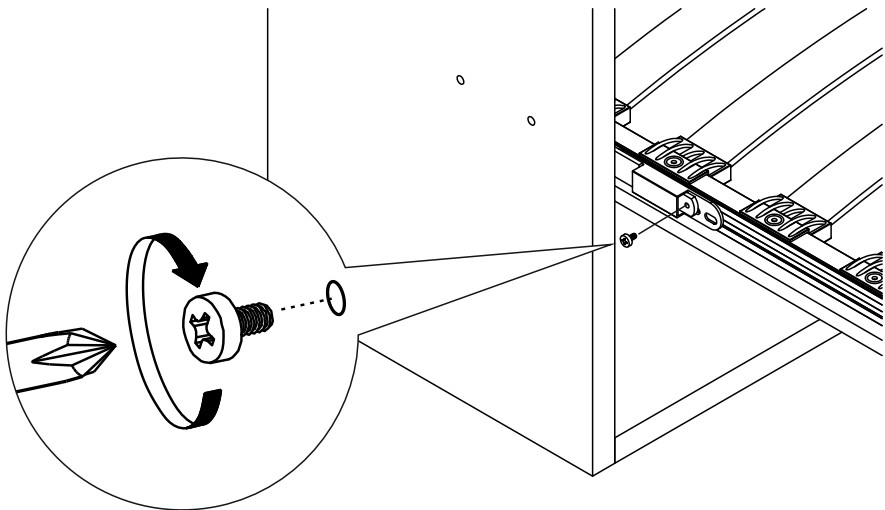
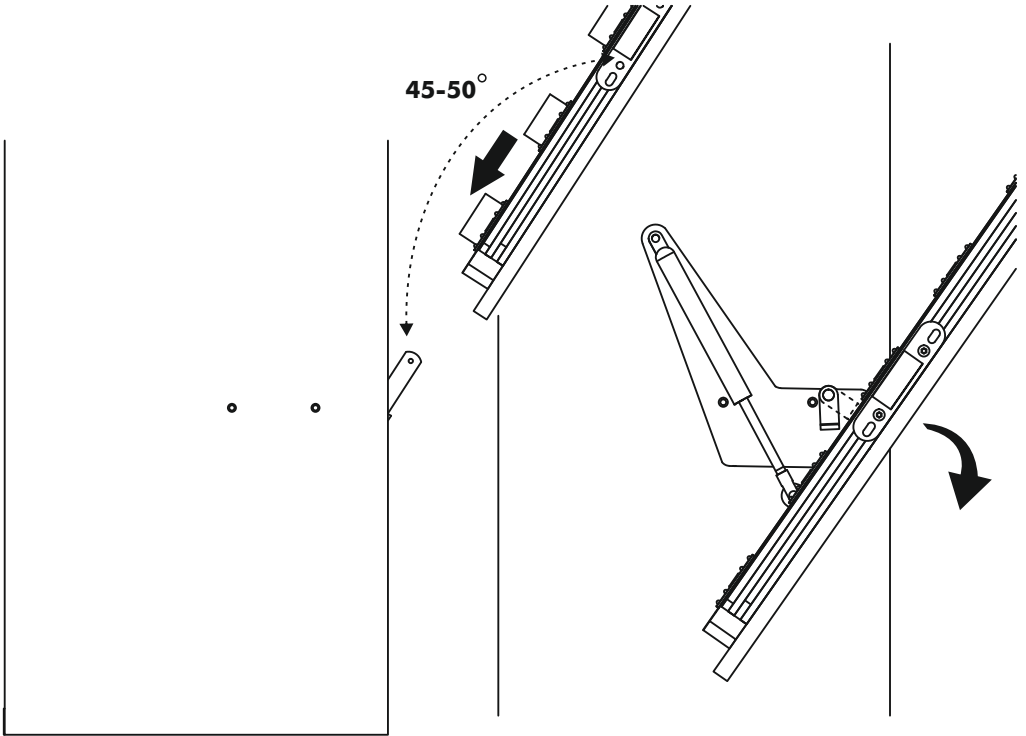
SUPPLY DRYWALL FASTENERS APPROPRIATE TO YOUR WALL TYPE. WE RECOMMEND USING STEEL TOGGLE BOLT ANCHOR THAT SHOWN BELOW



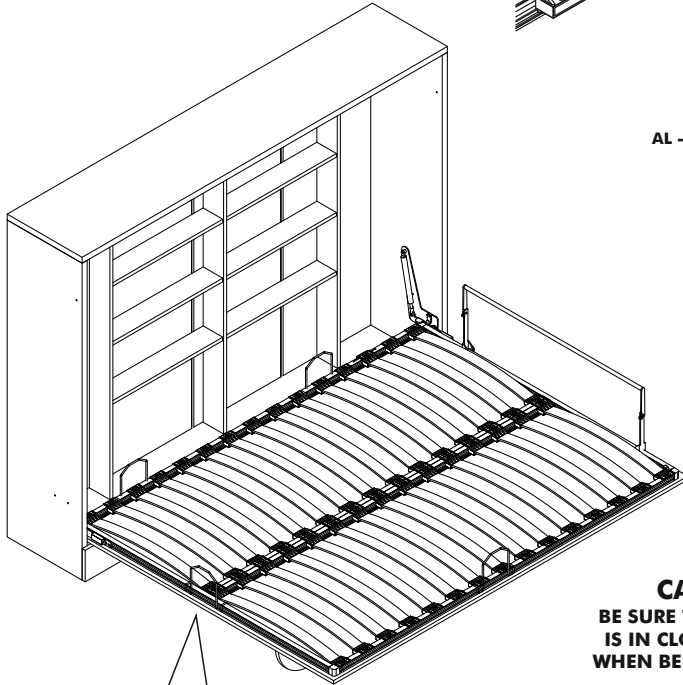
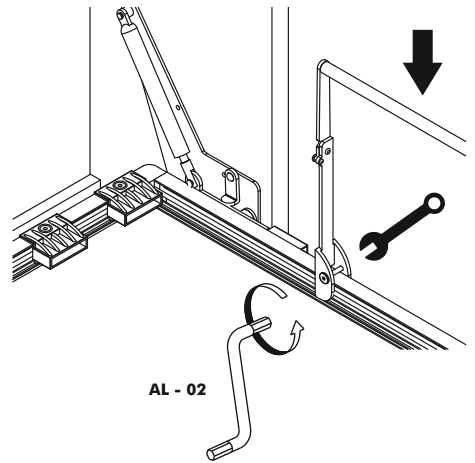
STEP 12



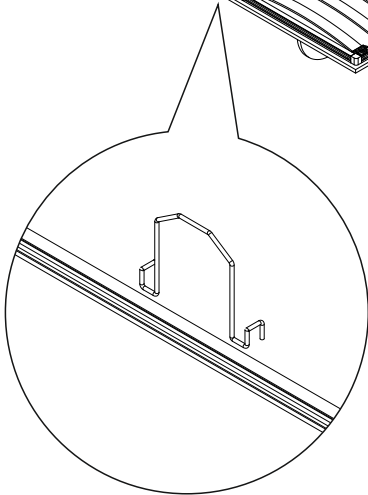
STEP 13



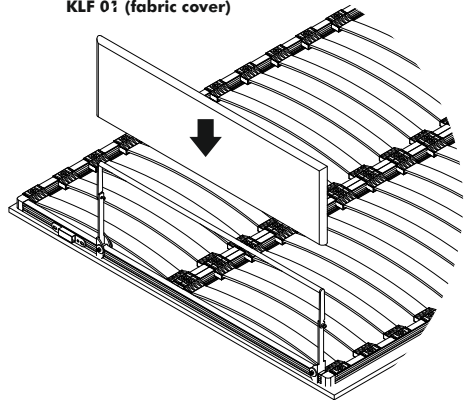
STEP 14



CAUTION !
BE SURE THE HEADBOARD
IS IN CLOSED POSITION
WHEN BED BOX IS CLOSED



KLF 01 (fabric cover)



ATTENTION / HOW TO / READ ME / OWNER'S GUIDE

1. When mounting on a regular drywall, furniture must be fastened to wood or metal studs. Solid walls made of brick, concrete or similar strong material are also acceptable. Do not mount furniture to paper-mache or sheet rock like material without properly attaching to stud.

2. For safety and product longevity you must periodically inspect the mounting and mechanical connections for integrity and tightness. Confirm hardware remains properly affixed and connections snug.

3. Wall Bed mattress thickness may not exceed 8 inch. Take care to remove pillows and excess blankets before closing. Doing so keeps mechanism free of obstruction and unnecessary stress.

4. Do not lean or rest heavy objects on side or top of furniture. This may cause balance issues and compromise the integrity of your mounting connections.

5. Please use the furniture's beds, desks and shelving as intended. Not designed to be sat, stood, leaned, jumped (etc) on. Improper use may cause personal injury and damage to property.

6. With seasonal humidity change you must inspect interior and exterior of furniture.

7. Single, Twin, Twin XL beds accommodate the weight of one person. Improperly sleeping more than one person risks injury to person and damage to property.

8. Before any un-mounting or disassembly please contact Multimo for technical support and instruction. Failure to properly detach risks injury to person and damage to property.

9. For Bunk Beds:

- a. Always use provided ladder when accessing top bunk.
- b. Be slow, careful and aware of surroundings when opening top bunk.
- c. Do not horseplay. Beds are to be slept on only.
- d. Some have legs that fully extend when open- be aware of where the leg is and will be.



www.multimobeds.com